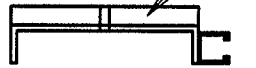


REV #	ALTERATIONS	DATE	BY
1	VALID	2-26-03	JGV
2	ADDED GROUND ROD	3-23-05	CMC

1" [25.4mm] STEEL PLATE



TOP VIEW OF CHANNEL

10" [254.0mm] CHANNEL
C10x15.3
or C10x20

Ø0.500 [Ø12.70mm]

12 [304.80mm]

12 [304.80mm]

86 [2184.40mm]

62 [1574.80mm]

38 [965.20mm]

5 [127.00mm]

36 [914.40mm]

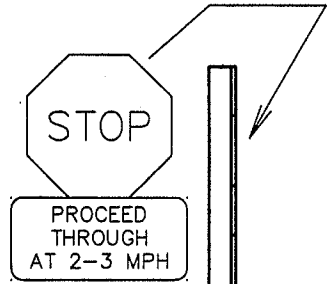
36 [914.40mm]

84 [2133.60mm]

120 [3048.00mm]

GROUND ROD

CRASH BARRIER
6" [152.4mm] x
0.25 [6.35mm] WALL
SQ TUBING
OR 5" [127mm] PIPE



CONCRETE (3000 PSI)
SHOULD EXTEND
36" [914.4mm] BELOW
GROUND LEVEL

UNISTRUT
WELDED
TO SIDE

12 [304.80mm]

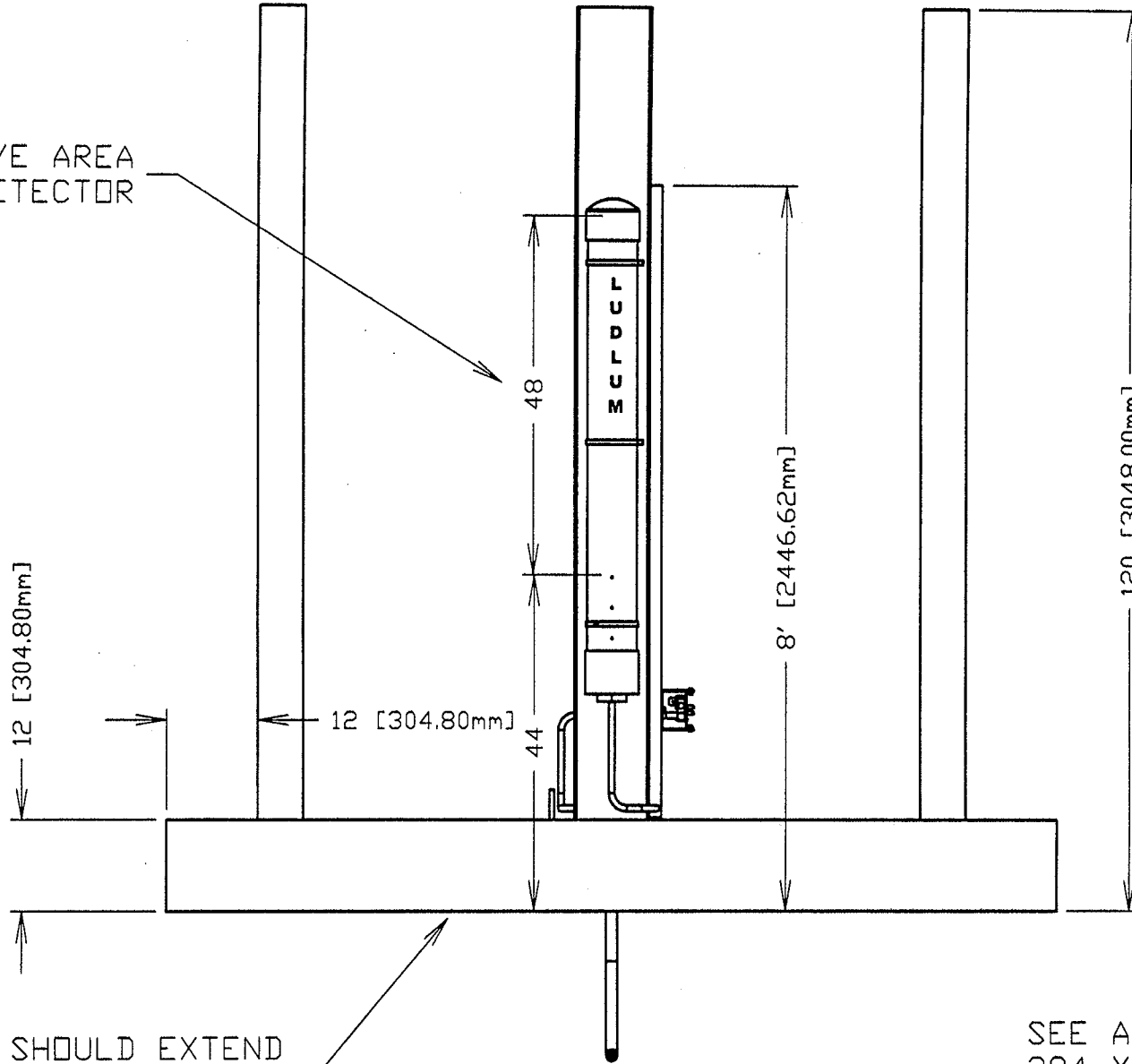
SEE ALSO SHEETS
384 X 311 B,C,D,E,F

The detectors weigh approximately
70 lbs.

DWN DATE CMC 7-18-05	CHECKED	APPROVED JGV 7-18-05
TITLE: M 3500-1K LOOKING AT DETECTOR		
LUDLUM MEASUREMENTS, INC. 800 ONE STREET EASTWATER, TEXAS 75840	SERIES 384	SHEET 311A

REV #	ALTERATIONS	DATE	BY
	VALID	7-17-98	JGW

ACTIVE AREA
OF DETECTOR



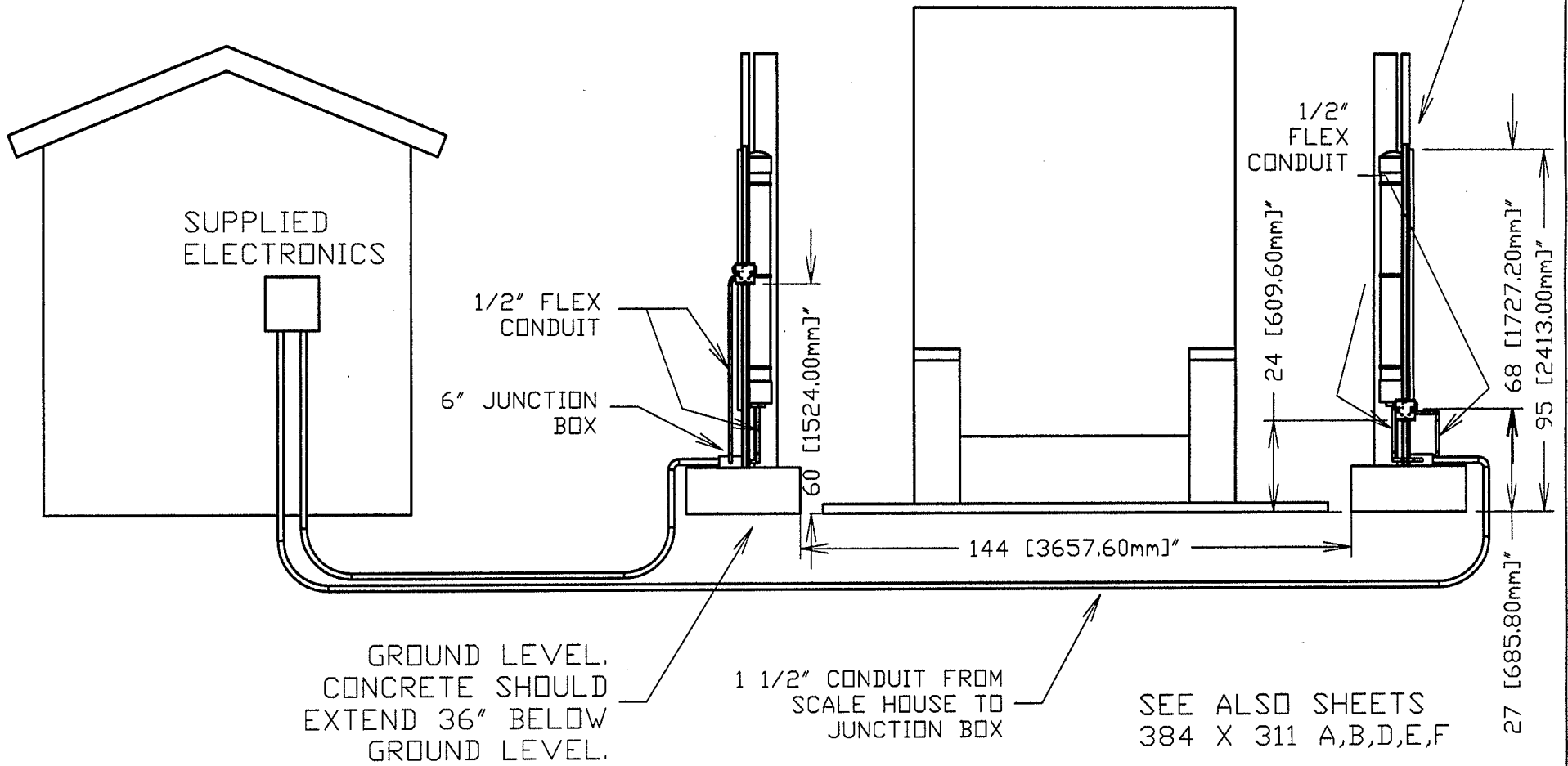
CONCRETE SHOULD EXTEND
36" BELOW GROUND LEVEL

SEE ALSO SHEETS
384 X 311 A,C,D,E,F

DWN JGW	DATE 7-18-05	CHECKED	APPROVED JGW 7-18-05
TITLE: M 3500-1K LOOKING AT DETECTOR			
LUDLUM REAROUNDS, INC. ONE DAK STREET EVANSTON, ILLINOIS 60201		SERIES 384	SHEET 311B

REV #	ALTERATIONS	DATE	BY
	VALID	03-22-00	TJR

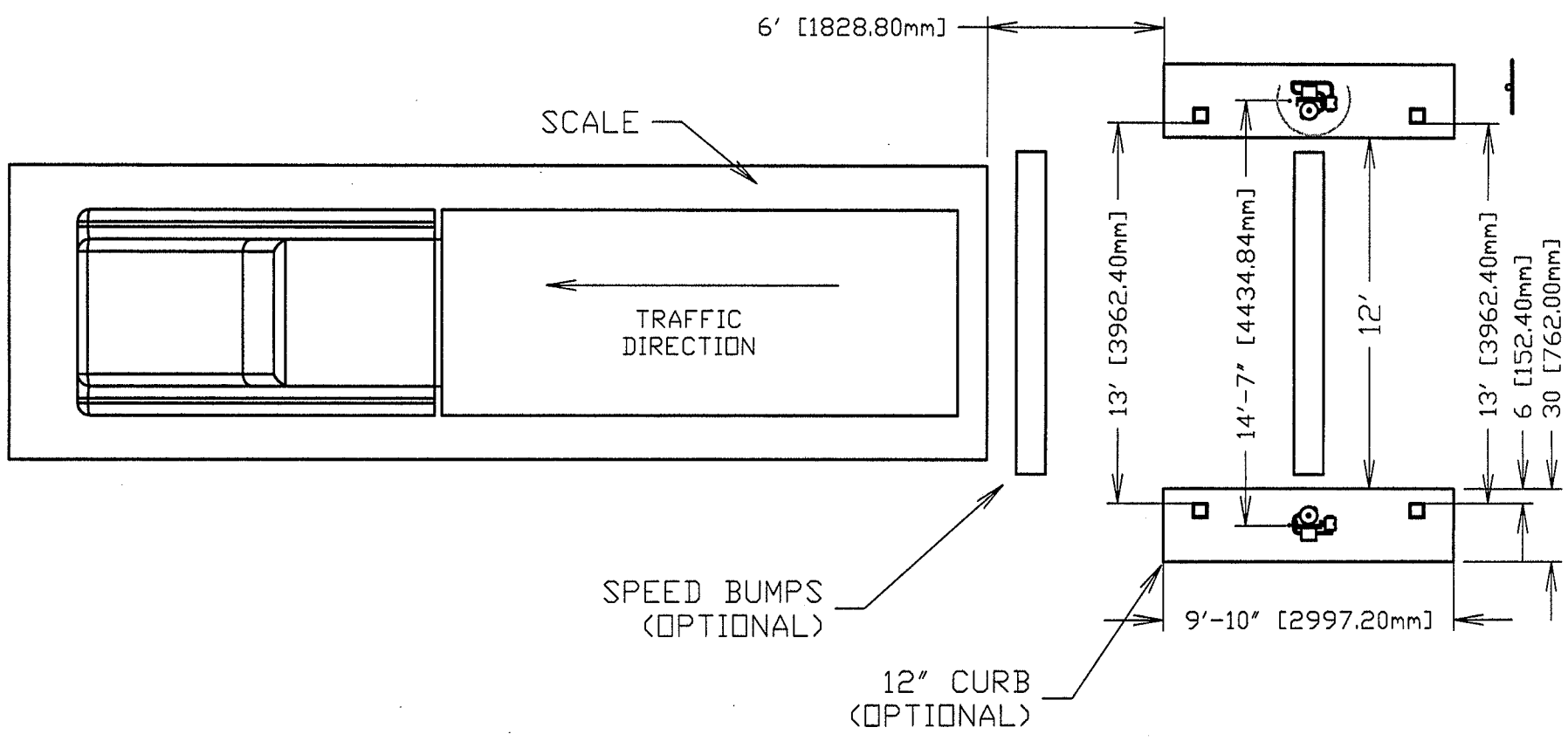
1" STEEL PLATE
 10" WIDE FOR 10" CHANNEL
 8.5" WIDE FOR 10" I-BEAM
 APPROX. 68" LONG, MOUNT BOTTOM
 EDGE 27" FROM GROUND OR
 15" FROM TOP OF CURB



SEE ALSO SHEETS
 384 X 311 A,B,D,E,F

DWN TJR	DATE 7-18-05	CHECKED JW	APPROVED JW 7-18-05
TITLE: M 3500-1K LOOKING AT SCALE			
LUDLUM MEASUREMENTS, INC. 201 ONE STREET EVANSTON, ILLINOIS 60201		SERIES 384	SHEET 311C

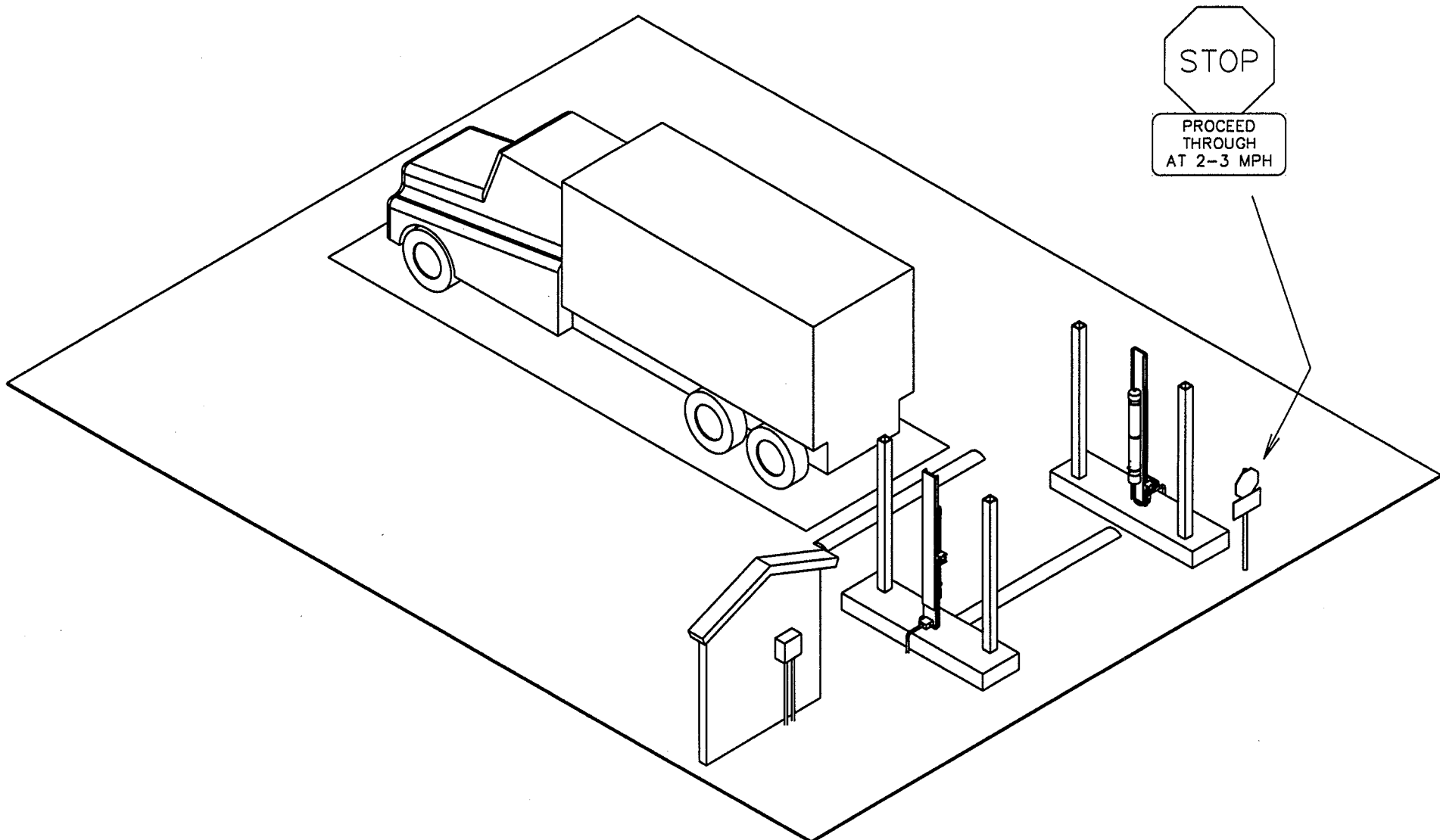
REV #	ALTERATIONS	DATE	BY
	VALID	7-17-98	JGW



SEE ALSO SHEETS
384 X 311 A,B,C,E,F

DWN DATE JGW 7-18-05	CHECKED	APPROVED Jgw 7-18-05
TITLE: M 3500-1K AERIAL VIEW		
LUDLUM REMEDIATION, INC. ONE DAK STREET EVARTON, TEXAS 75826	SERIES 384	SHEET 311D

REV #	ALTERATIONS	DATE	BY
	VALID	7-17-98	JGW




STOP

PROCEED THROUGH AT 2-3 MPH

SHOWN WITH OPTIONAL CURB AND SPEED BUMPS

SEE ALSO SHEETS
384 X 311 A,B,C,D

DWN JGW	DATE 7-17-98	CHECKED JGW 7-17-98	APPROVED BLM 9-24-98
TITLE: M 3500-1K ISO VIEW			
 LUDLUM MEASUREMENTS, INC. 501 DAK STREET SUGG WATERS, TEXAS 79256		SERIES 384	SHEET 311E