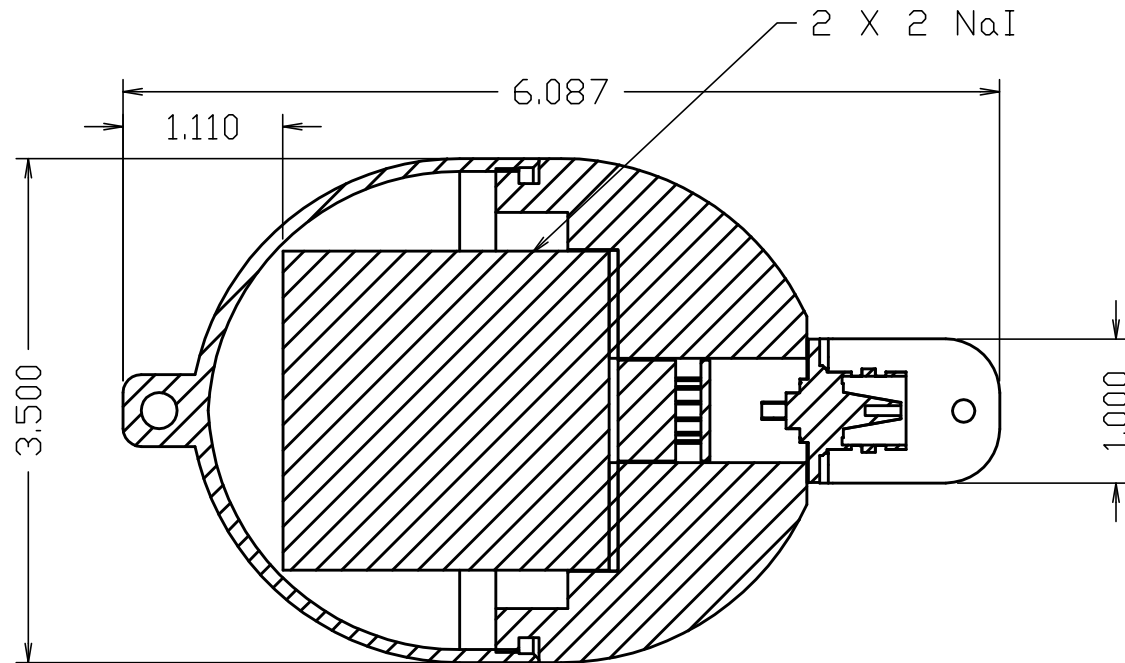
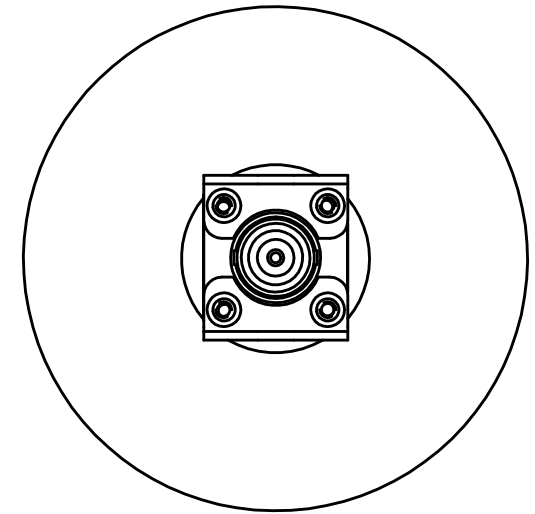
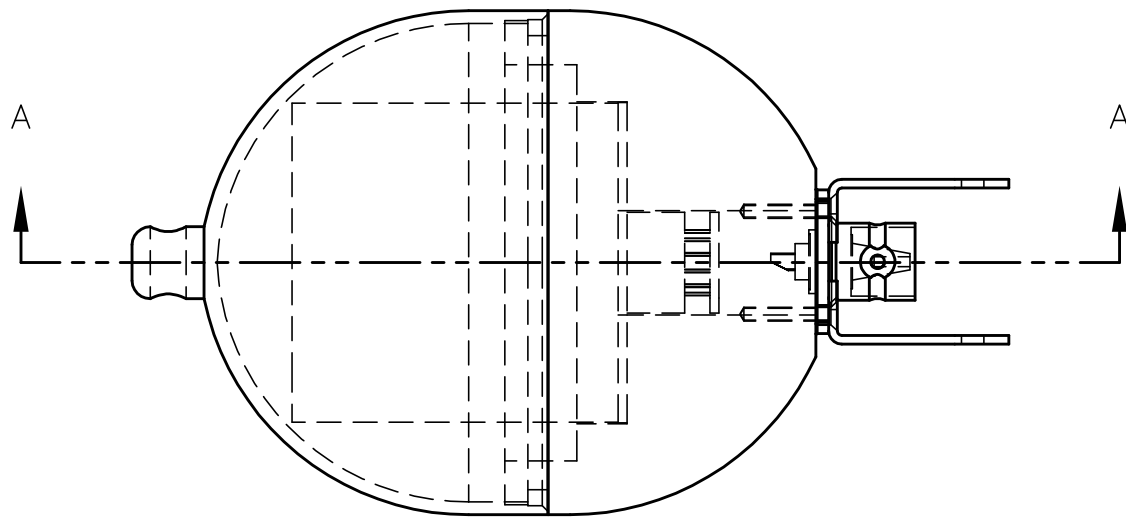
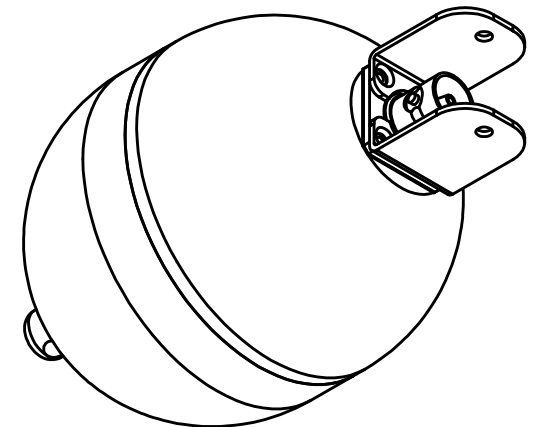



REV #	ALTERATIONS	DATE	BY
1	VALID	11-01-02	TJR



SECTION A-A



DWN	DATE	CHK	DATE	APP	DATE
JGV	4-10-03				
DWG NUM: 4002-767			SCALE: FULL □ OTHER 3/4		
TITLE M 44-157					
 LUDLUM MEASUREMENTS, INC. 501 OAK STREET SWEETWATER, TEXAS 79556		SERIES	SHEET		
		2	767		