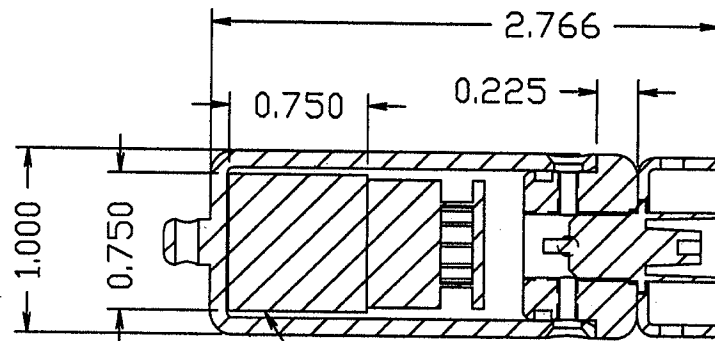
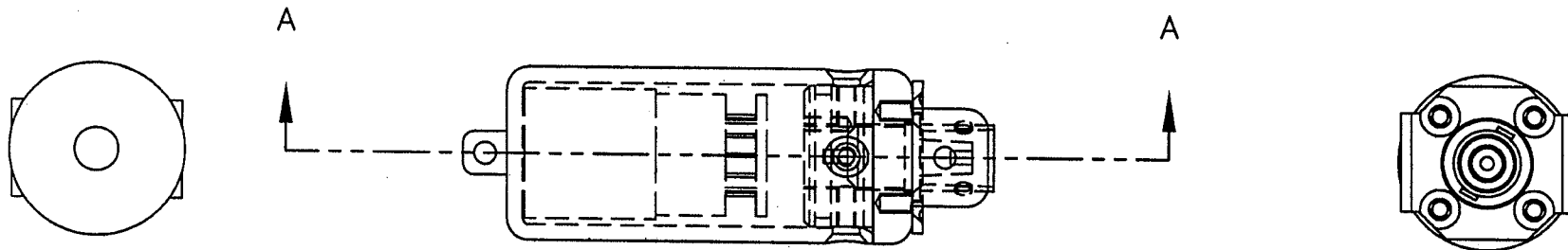


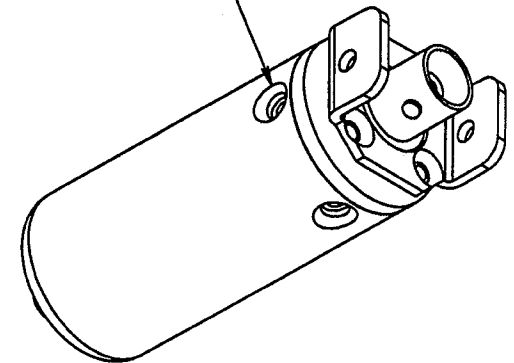
REV #	ALTERATIONS	DATE	BY
3	VALID	2-12-03	JGW




18mm X 18mm CsI

SECTION A-A

SEAL THREADS
WITH RTV



DWN CMG	DATE 10-12-10	CHK JW	DATE 10-12-10	APP JW	DATE 10-12-10
DWG NUM: 4002-782		SCALE: FULL <input type="checkbox"/> OTHER <input type="checkbox"/> 1/1			
TITLE M 44-159					
 LUDLUM MEASUREMENTS, INC. 501 CHIC STREET EASTWATER, TEXAS 75856		SERIES 2	SHEET 782		