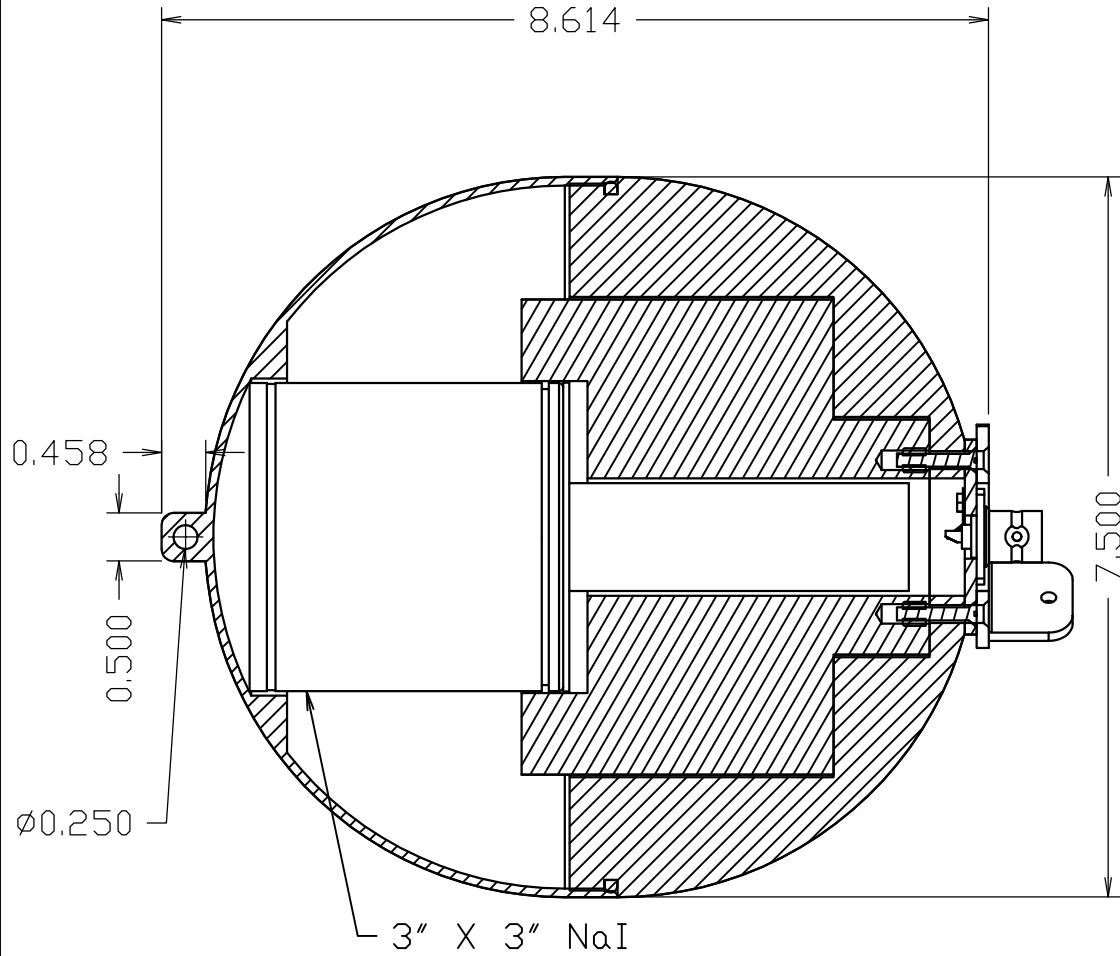
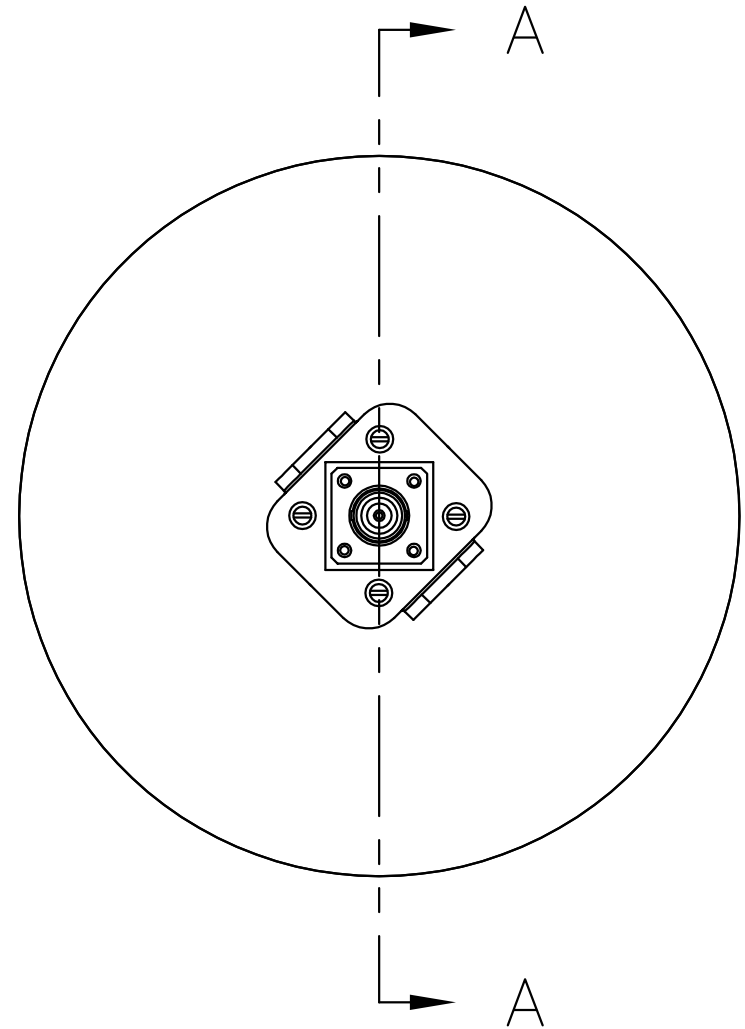



REV #	ALTERATIONS	DATE	BY
1	VALID	10/12/10	CMC



SECTION A-A



DWN	DATE	CHK	DATE	APP	DATE
CMC	10/12/10				
DWG NUM: 4002-802			SCALE: FULL □ OTHER 1:2		
TITLE M 44-162					
 LUDLUM MEASUREMENTS, INC. 501 DAK STREET SWEETWATER, TEXAS 79556		SERIES	SHEET		
		2	802A		